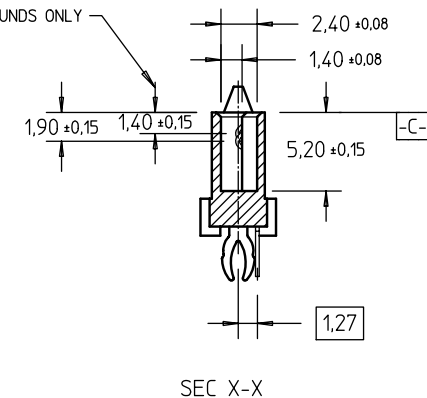
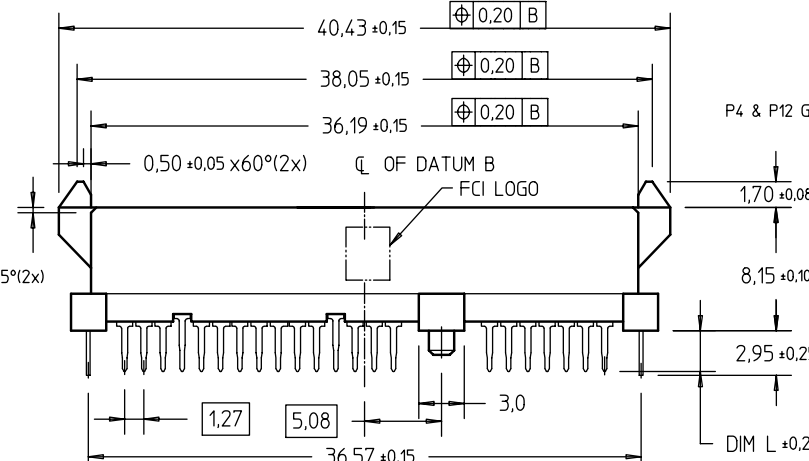
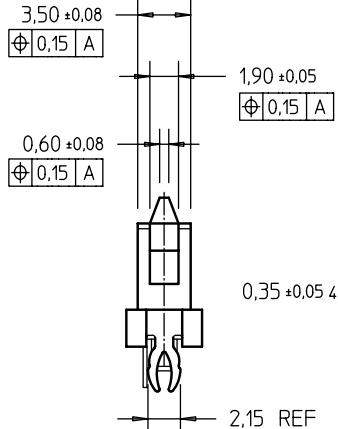
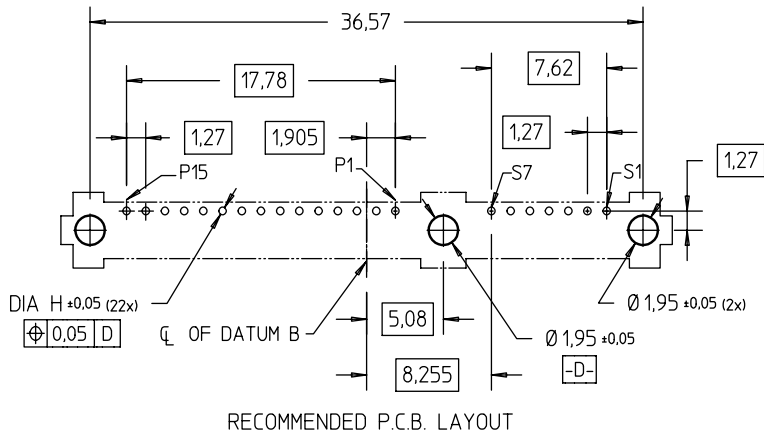
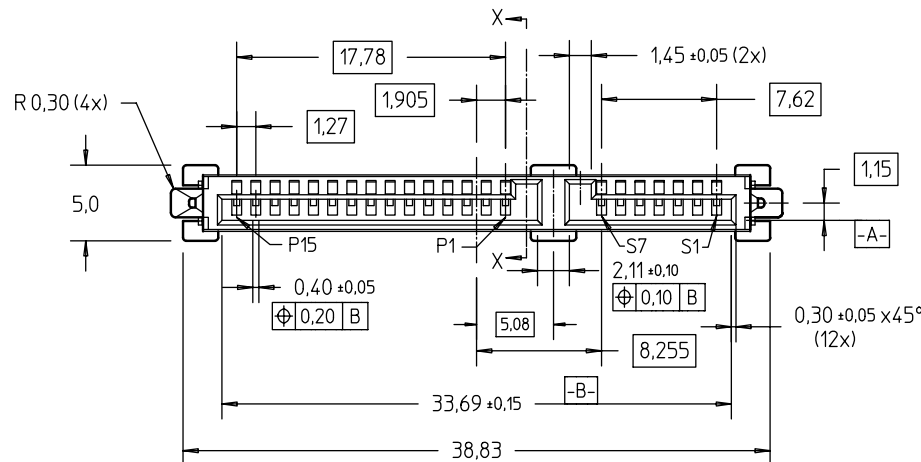


FCI CONFIDENTIAL



This document is the property of and embodies CONFIDENTIAL and PROPRIETARY information of FCI. No part of the information shown on this document may be used in any way or disclosed to others without the written consent of FCI. Copyright FCI.

PRODUCT NO	DIM L	RECOMMENDED P.C. BOARD THICKNESS	DIA "H"
10017660-001LF	2.70	1,57mm (0,062") / 2,36mm (0,093")	0,50



NOTES:

- 1 MATERIAL:
 - 1) HOUSING : HIGH TEMP. THERMOPLASTIC, UL 94V-0
COLOR : BLACK
 - 2) TERMINAL : COPPER ALLOY
 - 3) HOLD DOWN : COPPER ALLOY
- 2 FINISH :
 - 1) TERMINAL : 30u" Au PLATING (CONTACT POINT) OVER 50u" MIN NICKEL
 - 2) SOLDER TAIL : 100u" MIN TIN OVER 50u" MIN NICKEL
 - 3) HOLD DOWN : 100u" MIN TIN OVER 50u" MIN NICKEL
- 3 TRUE POSITION NOTES APPLY AT TERMINAL TIP
- 4 PER S-ATA SPEC REV 1.0a

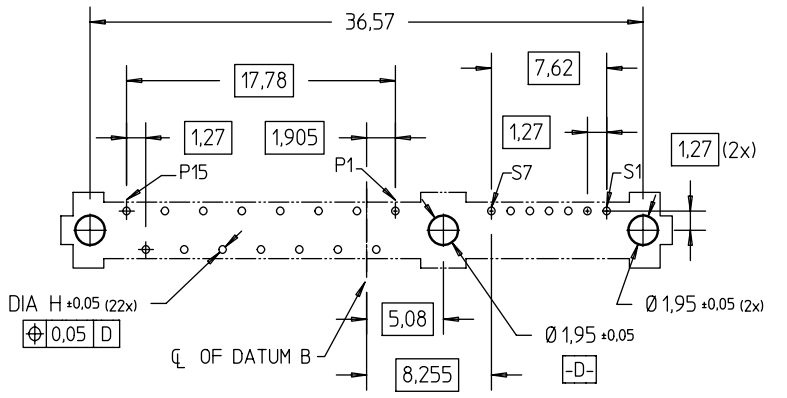
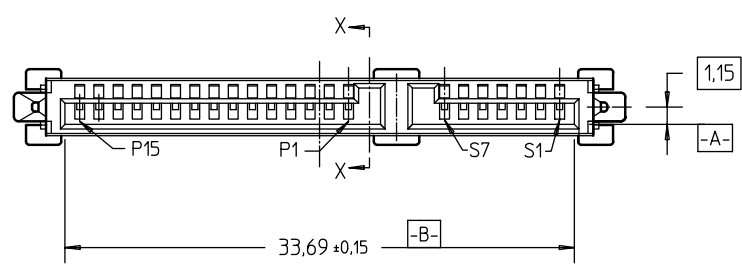
mat'l code		surface	tolerance	projection	product family
		ISO 1302	ISO 406 ISO 1101		S-ATA
ltr		ecn no	dr	date	title
A		S04-0131	GLL	2004-10-05	S-ATA COMB RECEP. VERTICAL TH TYPE ASSY
B		S05-0035	GLL	2005-02-07	
C		S06-0312	GLL	2006-09-19	
				angles	mm
				linear	scale 2:1
				± 2°	
				dr	GL L00
				enrg	GL L00
				chr	GL L00
				appd	JOEY NG
sheet		revision	C	C	dwg no
index		sheet	1	2	10017660
					sheet 1 of 2
					size
					A4
					type
					CUSTOMER Drawing

FCI CONFIDENTIAL

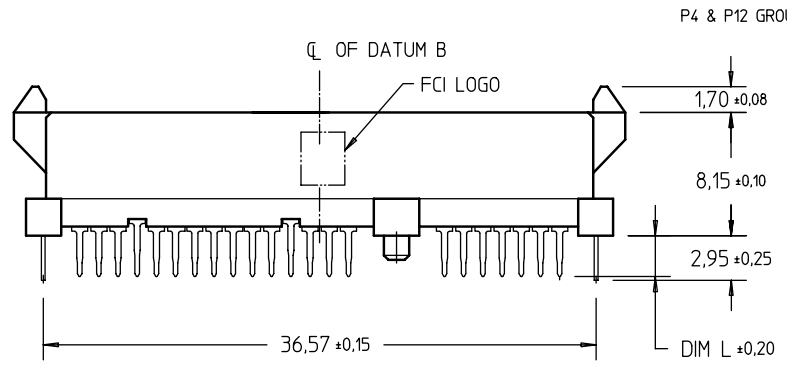
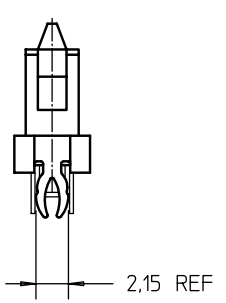


This document is the property of and embodies CONFIDENTIAL and PROPRIETARY information of FCI. No part of the information shown on this document may be used in any way or disclosed to others without the written consent of FCI. Copyright FCI.

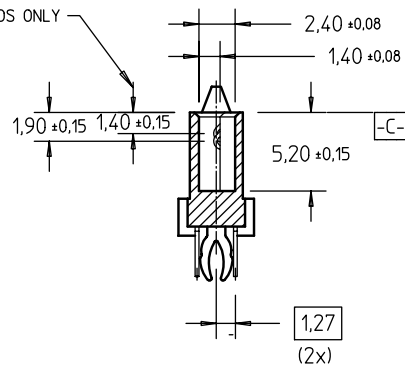
PRODUCT NO	DIM L	RECOMMENDED P.C. BOARD THICKNESS	DIA "H"
10017660-002LF	2.70	1,57mm (0,062") / 2,36mm (0,093")	0,50



RECOMMENDED P.C.B. LAYOUT



NOTE : ALL OTHER DIMENSIONS REFER TO SHEET 1.



SEC X-X

- NOTES :
- 5 THE STD PACKAGING IS IN TRAY.
 - 6 THE HOUSING WILL WITHSTAND EXPOSURE TO 260°C PEAK TEMPERATURE FOR 10 SECONDS IN A WAVE SOLDER APPLICATION WITH A 1,57MM MINIMUM THICK CIRCUIT BOARD.
 - ⑦ THIS PRODUCT MEETS EUROPEAN UNION DIRECTIVES AND OTHER COUNTRY REGULATIONS AS DESCRIBED IN GS-22-008.
 - ⑧ PART NUMBERS ENDING IN "LF" MEANS FOR NOTE 7 LEAD FREE IDENTIFICATION. P/N XXXXXXXX-XXXLF IS EQUIVALENT TO PREVIOUS P/N XXXXXXXX-XXX

mat'l. code		surface	tolerance	projection	product family
		ISO 1302	ISO 406 ISO 1101		S-ATA
ltr	ecn no	dr	date	title	
				S-ATA COMB RECEP. VERTICAL TH TYPE ASSY	
				mm	scale 2 : 1
				dwg no	
				10017660	
				sheet 2 of 2 size	
				A4	
				type	
				CUSTOMER Drawing	
sheet index	revision sheet				
1	1				